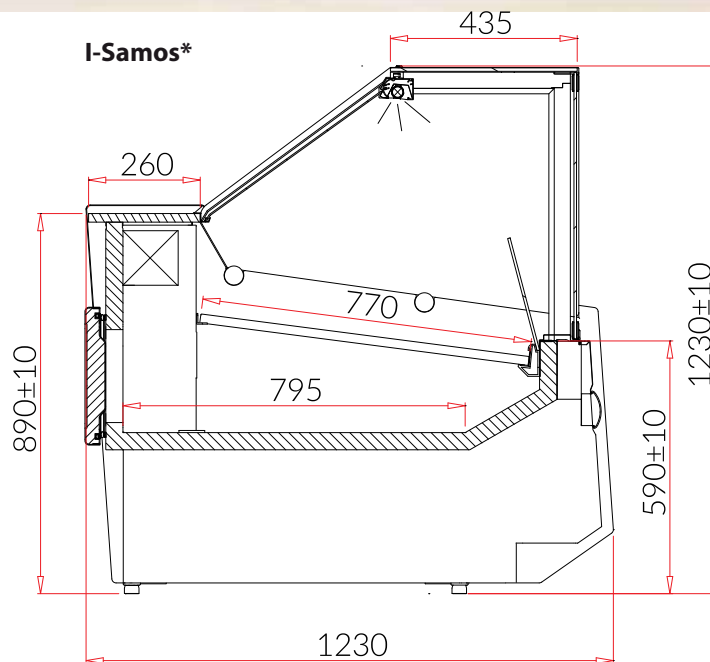
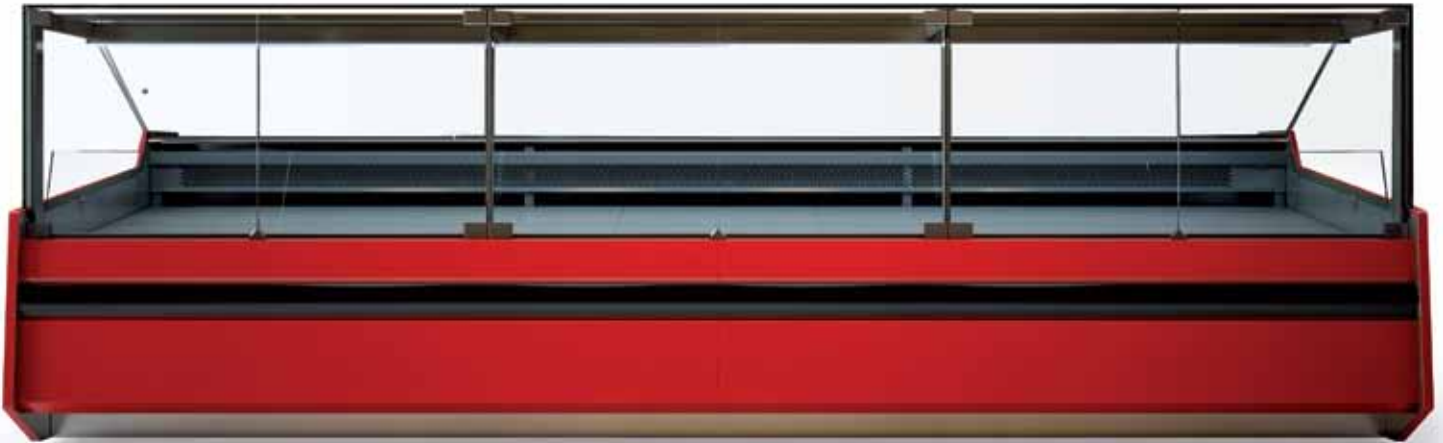


## Refrigerated Serve Overs - I-Samos

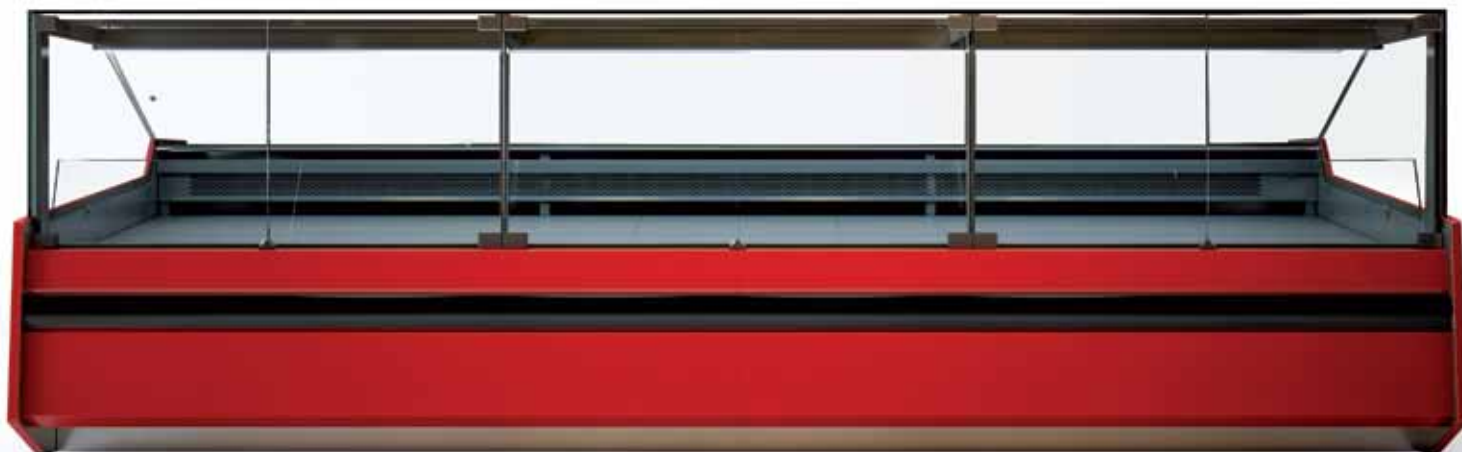


### Technical parameters:

Model	Dimension (ext.) H x W x D [mm]	Display surface [m <sup>2</sup> ]	Power Consumption [kWh/24h]	Weight [kg]
I-Samos 0.94	1230 x 1020 x 1230	0,70	4,00	155
I-Samos 1.25	1230 x 1330 x 1230	1,00	4,10	175
I-Samos 1.56	1230 x 1645 x 1230	1,20	5,10	205
I-Samos 1.88	1230 x 1955 x 1230	1,40	6,20	230
I-Samos 2.50	1230 x 2580 x 1230	1,90	8,50	305
I-Samos 3.13	1230 x 3210 x 1230	2,40	8,70	435
I-Samos 3.75	1230 x 3830 x 1230	2,90	13,20	510

\* - Picture above presents unit with either some or all available extras. Please note that the look of basic version of cabinet, or one of your choice, may vary from presented.

## Refrigerated Serve Overs - I-Samos



I-Samos\*

### Description:

- temperature range +1 / +8°C
- preferred ambient temperature +16 / +25°C
- power supply 230V / 50Hz
- internal condensing unit
- ecological polyurethane insulation
- external housing made of white coated steel - from staff side
- base and front made of powder coated steel - white
- aluminium glass frames colour - choice of colours
- display deck depth 770mm
- exposition surface made of stainless steel
- refrigerated under-storage made of stainless steel
- 260mm width worktop - stainless or grey granite
- electronic control with temperature display
- automatic defrost system
- static air circulation
- square front glass - hinged, openable
- perspex blinds
- interior LED lighting (meat colour)
- ABS side walls (40mm thick) - choice of colours
- 1 year full warranty service and after warranty service provided

### Choice of colours:

Side walls colours: 

Bumper colours: 

Aluminium frames colours: 

### Optional colours:

Granites: 

Front colours: 

Base colours: 

### Available options:

- multiplexing
- prepared to work with external condensing unit
- external housing made of stainless steel (staff side)
- front panel colour - optional colours
- base colour - optional colours
- front panel made of stainless steel
- base made of stainless steel
- exposition area stepped (2 steps)
- exposition area stepped (3 steps)
- exposition area made of acid resistant stainless steel
- storage chamber made of acid resistant stainless steel
- front glass electric lock
- front glass telescopic lifting system
- fans enforcing air circulation
- powder painted evaporator
- worktop made of granite (blamoral) 20mm thick
- worktop made of granite (black) 20mm thick
- LED light colour (white)
- LED light colour (confectionary)
- additional exposition glass shelf with LED light (ambient)
- customer front shelf (aluminium profile gold or silver colour)
- set of wheels (castors)
- small movable table (on rails)
- movable partition (glass on stands, placed in exposition area)
- fixed top partition (high glass fixed in exposition area)
- automatic condensate evaporation (internal condensing unit only)
- analog thermometer
- socket with fuse

\* - Picture above presents unit with either some or all available extras. Please note that the look of basic version of cabinet, or one of your choice, may vary from presented.